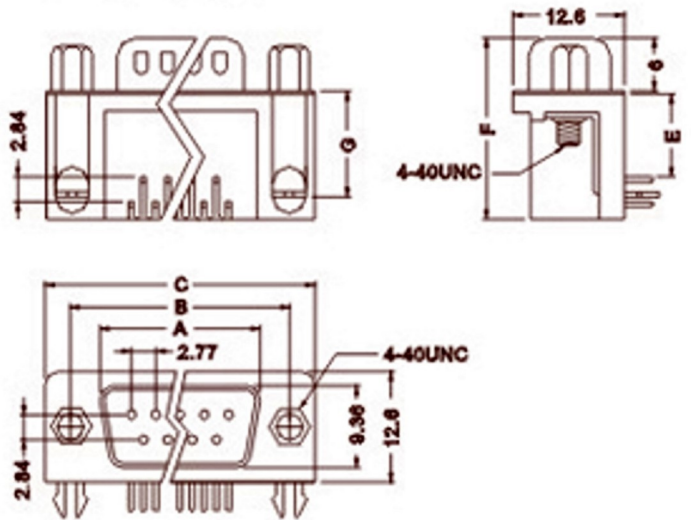
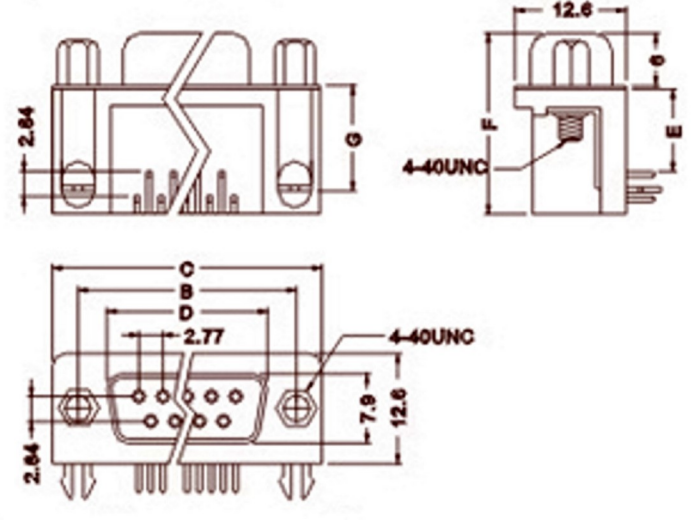


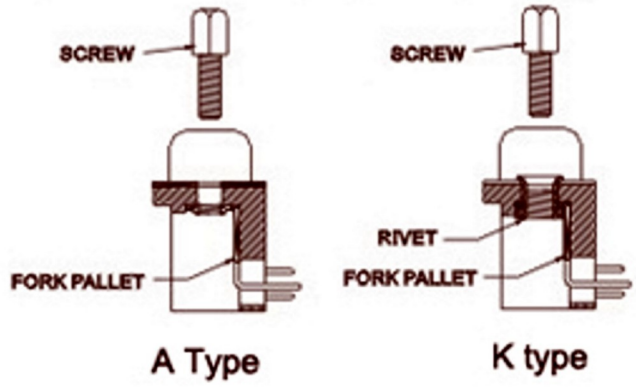
[Male Type]



[Female Type]



[Screw Mounting Options]



Position	A	B	C	D
9	17.78	24.99	31.04	16.33
15	26.15	33.32	39.24	24.66
25	39.94	47.04	53.04	38.66
37	56.56	63.50	69.62	54.84

Footprint	E	F	G
B	7.2	18.4	9.62
D	9.4	20.64	12.06
C	13.84	25.3	16.5

Y: F Female
 M Male
 W: Body Dimension:
 B: 7.2 mm
 D: 9.4 mm
 C: 13.84 mm

 Z: A (Boardlock)

RoHS Compliant		SCHMID-M	
APPD.	SCAL F	TOLERANCE XX ± 0.25 XX ± 0.35 ANG. ±	PART NAME D-Sub PCB Right Angle
DWG. HELGA	UNIT M M	SIZE A 4	PART NO. SM C05 0550 XX YZW
DATE 2013/10	PAGE 1 OF 1	REV. C	